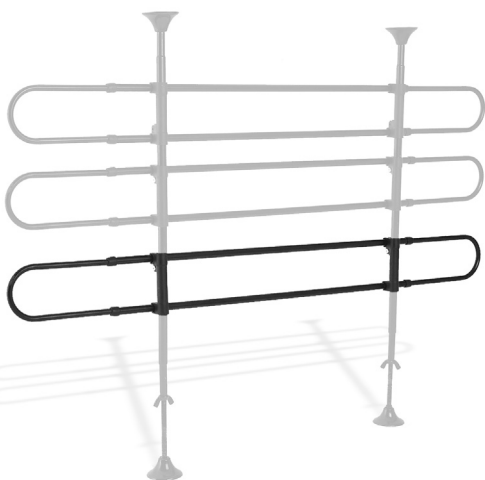


# WeatherTech®

Pet Barrier Extension

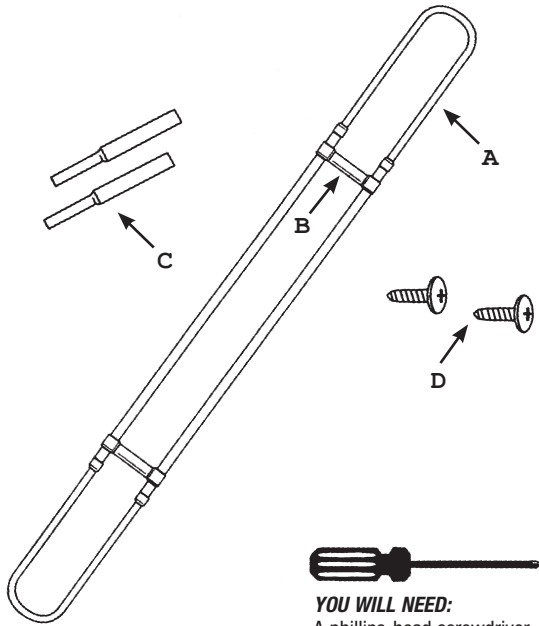
## Instruction Manual



1 MacNeil Ct.  
Bolingbrook, IL 60440  
630-769-1500 • Fax: 630-769-0300  
[www.weathertech.com](http://www.weathertech.com)  
Patent Requested

*Pet Barrier Extension*

Parts Included With The  
**WeatherTech®**  
 Pet Barrier Extension



**YOU WILL NEED:**  
 A phillips-head screwdriver

**PARTS LIST**

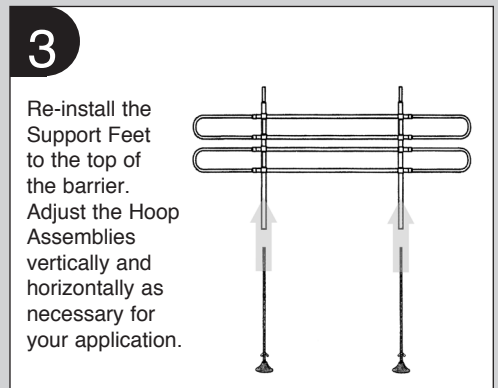
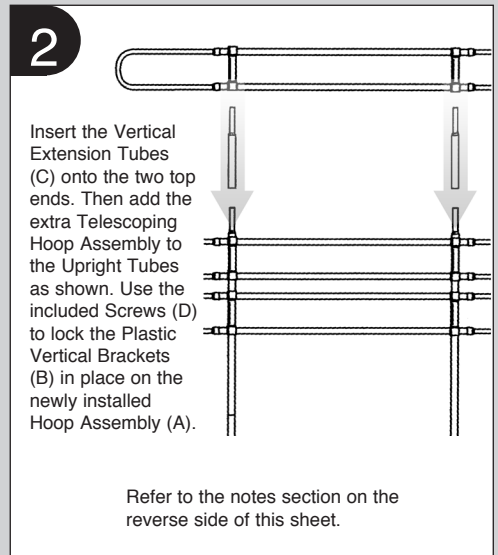
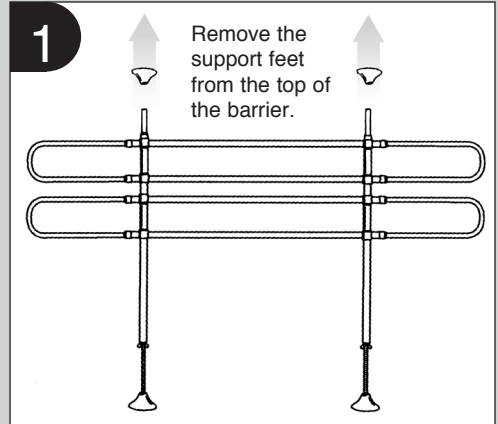
Letter	Description	Quantity
A	Telescoping Hoop Assembly	1
B	Plastic Vertical Brackets	2
C	Vertical Extension Tubes	2
D	Screws	2

**BEFORE YOU BEGIN**

- Thank you for purchasing the WeatherTech® Pet Barrier Extension. We are confident that this product is the best on the market, and will exceed your needs.
- Please take a moment to familiarize yourself with all of the included parts listed above. If anything is missing, contact your dealer immediately.

**OUR GUARANTEE:**

This product is guaranteed against defects in manufacturing for one (1) year from the date of original purchase.



## NOTES

- This product is not to be used as a cargo barrier. Any use of this product for that reason voids warranty and releases manufacturer of any and all liability.
- It is not always necessary to use the included vertical tubes. The additional vertical tubes will add 6 inches to the height of the Pet Barrier.
- Check the Wing Nuts on the Vertical Tubes periodically to adjust for settling.