

MSD[™] IGNITION INSTALLATION INSTRUCTIONS

MSD Blaster Coil, PN 8202, 8223 High Vibration Blaster Coil, PN 8222

Parts Included:

- 1 - Blaster Coil, PN 8202, 8223, 8222
- 2 - Brass Nuts and Lock Washers
(PN 8223 also is supplied with a 90° Plug Terminal and Boot)

Note: This Blaster Coil Kit is intended to be used with an MSD Ignition. If installing on a stock, points style ignition system, a 0.8 ohm ballast resistor or resistor wiring **MUST** be installed. MSD offers this Ballast Resistor as PN 8214 or the Blaster Coil Kits, PN 8200 and 8203 are equipped with one.

WARNING: Failure to use a ballast resistor could result in personal injury or component failure.

The Blaster Coil is designed to mount in most factory canister coil mounts. MSD also offers a Chrome Coil Bracket, PN 8213. It is recommended to mount the PN 8202 and 8223 coils in an upright position. The High Vibration Coil, PN 8222, can be mounted in any position due to its epoxy potting compound.

INSTALLATION

WARNING: During installation, disconnect the battery cables. When disconnecting the battery, always remove the Negative (-) cable first and install it last.

1. Mark the original coil wires as positive (+) and negative (-) and remove the wires.
2. Remove the high voltage coil wire (spark plug wire) and remove the coil from the bracket.
3. Install the Blaster Coil into the mount and tighten.

WIRING TO AN MSD 6 OR 7 SERIES IGNITION

The MSD 6 and 7 Ignitions are Capacitive Discharge Ignitions. They receive 12 volts directly from the battery and are responsible for delivering the positive voltage to the coil. Therefore, a 12 volt source wire is not required at the coil. When the installation with an MSD Ignition is complete, there will only be two wires making direct contact to the coil terminals: The Orange Wire from the MSD connects to the coil positive (+) terminal. The small Black wire from the MSD connects to the coil negative (-) terminal (Figure 1).

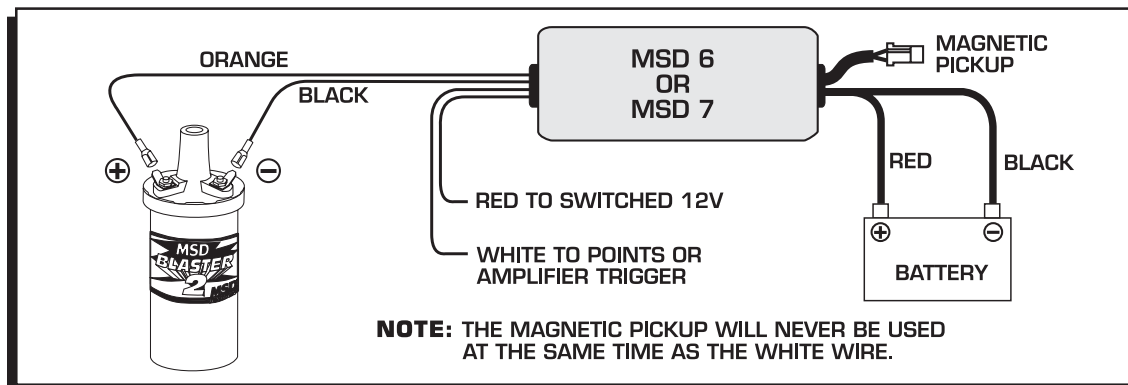


Figure 1 Wiring to an MSD 6 or 7 Series Ignition Control.

MSD IGNITION™ INSTALLATION INSTRUCTIONS

WIRING TO A STOCK POINTS IGNITION

WARNING: When using the Blaster Coil with a points or stock style distributor, a 0.8 Ohm ballast resistor must be installed in-line of the positive wire. Failure to use a ballast resistor could result in personal injury or component failure.

1. Connect the negative wire to the negative terminal (-).
2. Connect a wire from the coil positive terminal to one side of the ballast resistor. Connect 12 volts to the other terminal of the resistor.
3. Install the high voltage coil wire.

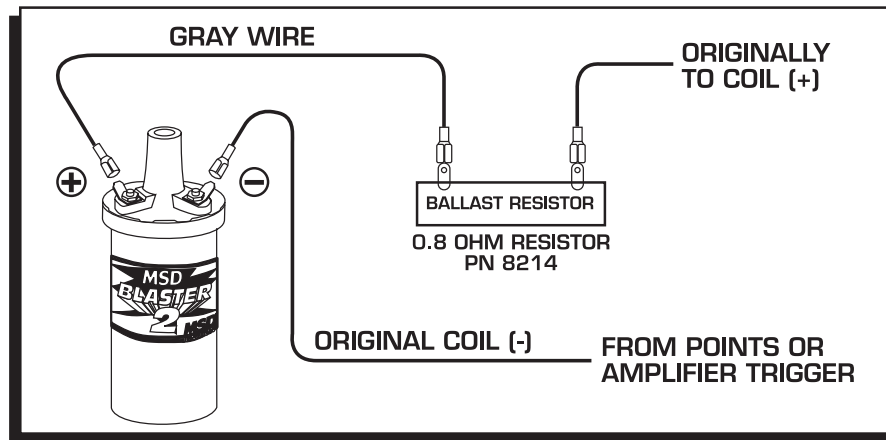


Figure 2 Wiring to a Points Ignition.

Service

In case of malfunction, this MSD component will be repaired free of charge according to the terms of the warranty. When returning MSD components for service, Proof of Purchase must be supplied for warranty verification. After the warranty period has expired, repair service is charged based on a minimum and maximum charge.

Send the unit prepaid with proof of purchase to the attention of: **Customer Service Department, Autotronic Controls Corporation, 12120 Esther Lama, Suite 114, El Paso, Texas 79936.**

When returning the unit for repair, leave all wires at the length in which you have them installed. Be sure to include a detailed account of any problems experienced, and what components and accessories are installed on the vehicle.

The repaired unit will be returned as soon as possible after receipt, COD for any charges. (Ground shipping is covered by warranty). All units are returned regular UPS unless otherwise noted. For more information, call the MSD Customer Service Line (915) 855-7123. MSD technicians are available from 8:00 a.m. to 5:00 p.m. Monday - Friday (Mountain Time).

Limited Warranty

Autotronic Controls Corporation warrants MSD Ignition products to be free from defects in material and workmanship under normal use and if properly installed for a period of one year from date of purchase. If found to be defective as mentioned above, it will be replaced or repaired if returned prepaid along with proof of date of purchase. This shall constitute the sole remedy of the purchaser and the sole liability of Autotronic Controls Corporation. To the extent permitted by law, the foregoing is exclusive and in lieu of all other warranties or representations whether expressed or implied, including any implied warranty of merchantability or fitness. In no event shall Autotronic Controls Corporation be liable for special or consequential damages.